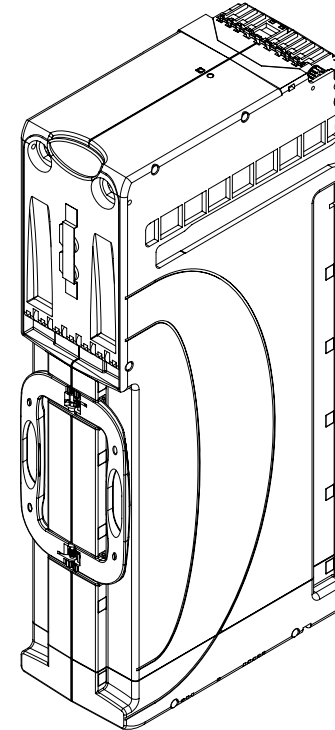


## FLS Cassette

# FLSC-2500



### General Specifications:

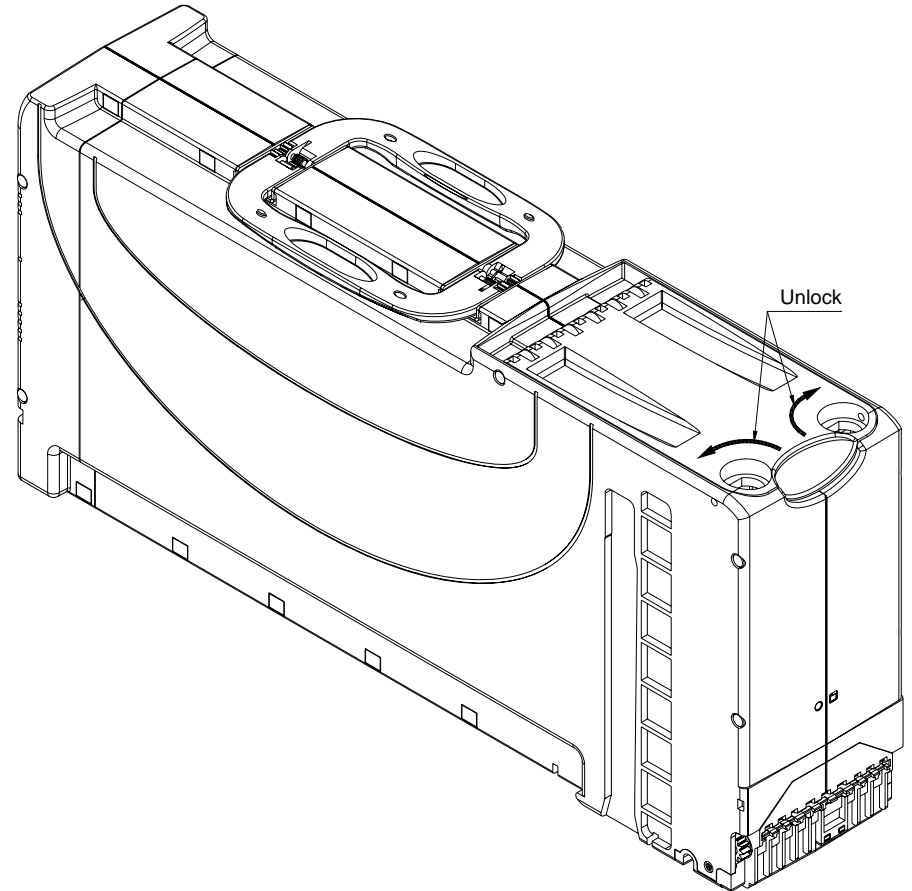
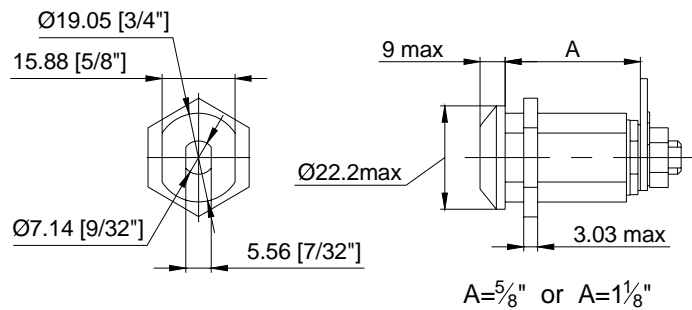
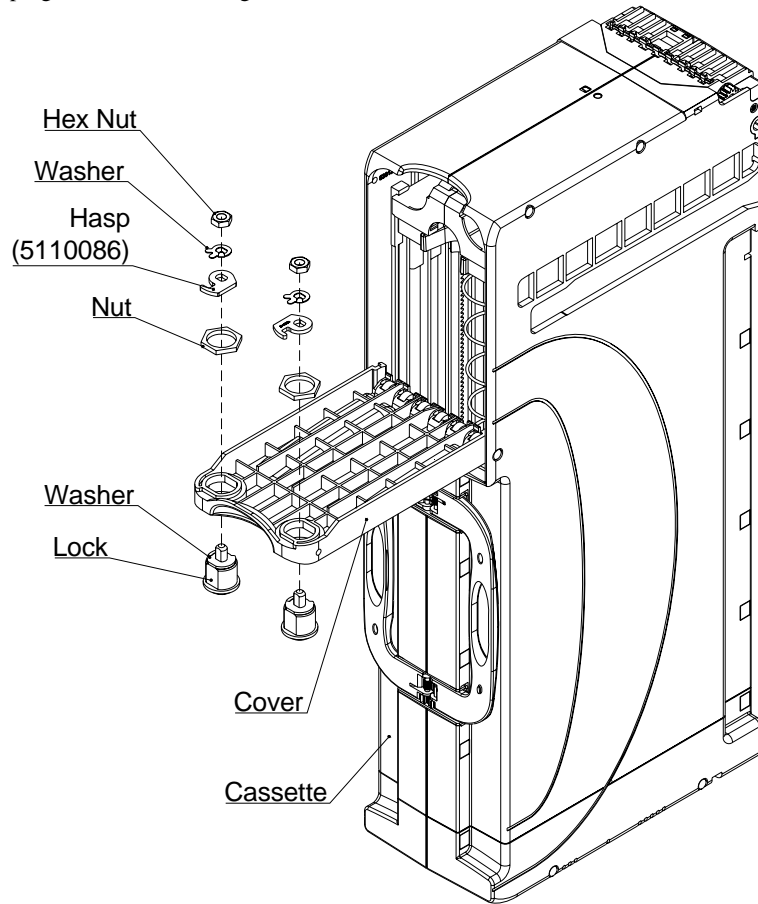
|                         |          |
|-------------------------|----------|
| Bank notes capacity     | 2500     |
| Handled Bill Width, mm  | 62-85    |
| Handled Bill Length, mm | 120-172  |
| Handle                  | Foldable |
| Latching Cam Lock       | One      |



A division of **CRANE** PAYMENT SOLUTIONS  
2720 Steeles Avenue West, Units 2-3, Concord, ON, Canada, L4K 4S3  
TEL: (905) 303-8874, 1(800)-584-2633  
FAX: (905) 303-8875, 1(800)-593-2633  
Web Address: [www.cashcode.com](http://www.cashcode.com)  
Email: [support@cashcode.com](mailto:support@cashcode.com)

## SECURITY LOCK INSTALLATION INTO FLS CASSETTE

In order to install the security locks in the cassette, open the cassette cover, remove the plastic lock and plug, and follow the diagrams as below.



Please use 2 lock of 2 sizes (5/8" or 1-1/8") from a range of manufacturers including MEDECO, KABA, ABLOY, VSR

They must rotate in opposite directions (one lock 90degree clockwise and second should be 90 degree counterclockwise - see figure at the left. Two locking hasps are shipped with every cassette - #5110086 or #5110086-02 (according to special order for ABLOY lock only).

Two locking Hasps (5110086) are shipped with cassette