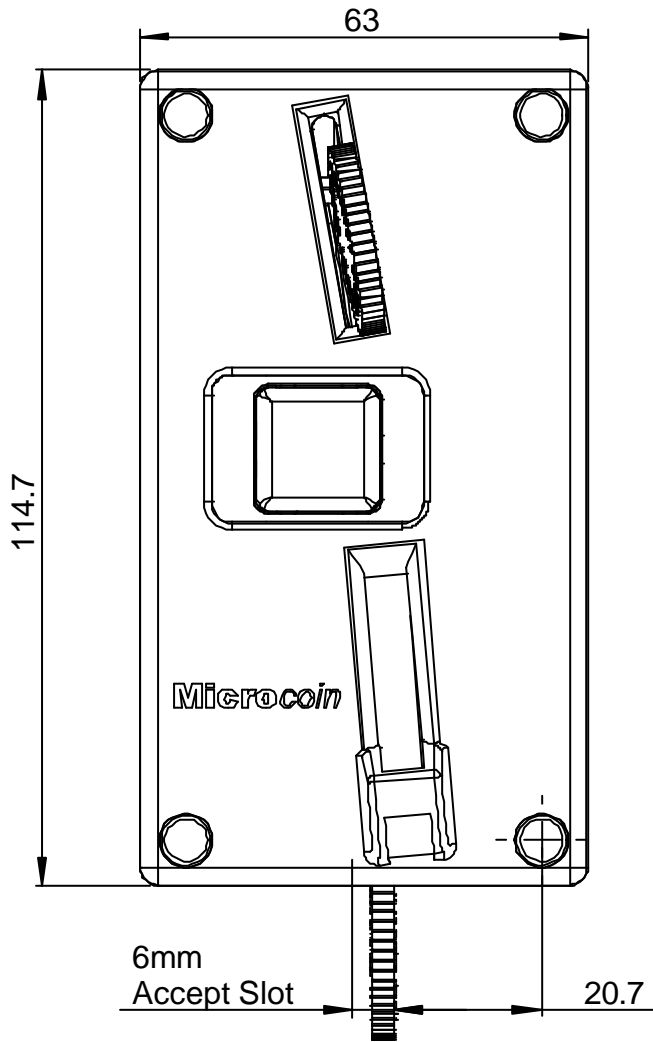


Microcoin SP



Max thickness 3.2mm
Max diameter 30mm

